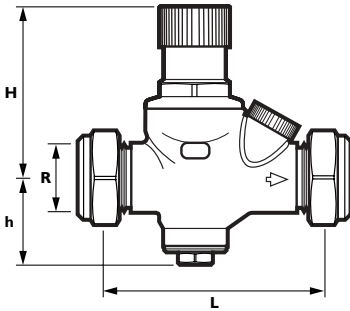
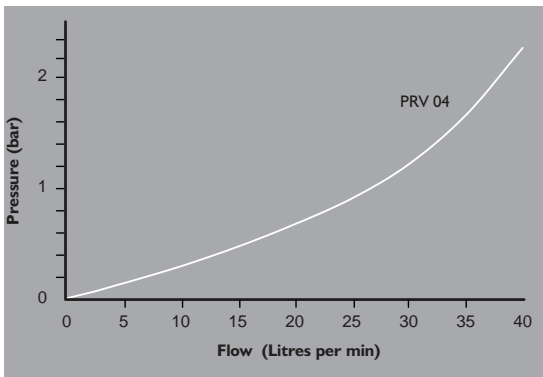


PRV04C domestic



Connection size	R	1/2" BSP(M)	3/4" BSP(M)
Nominal size	DN	15	20
Weight	approx. (kg)	327	383
Dimensions	(mm)		
	L	83	90
	H	67.5	67.5
	h	33.5	33.5
kvs-value		1.76	1.76

Capacity with open discharge (with no terminal fittings)



Data

Maximum pressure	- 16.Bar
Outlet control pressure	- 1.5 to 6 Bar
Factory setting	- 4 Bar
Minimum pressure drop	- 1 Bar
Max. operating temperature	- 70°C
Medium - Water	

Product

1/2" PRV04
3/4" PRV04
Pressure gauge (Not Included)

Connection

15mm Comp or 1/2" BSP(M)
22mm Comp or 3/4" BSP(M)
1/4" BSP(M)

Materials

Body	- Dezincification resistant brass
Cover	- High quality synthetic material
Diaphragm	- Fibre reinforced NBR
Spring	- Stainless steel
Seals	- NBR
Filter Bowl	- Dezincification resistant brass

WFBS listed

Code numbers

841015 - 15mm PRV04C pressure reducing valve.
841010 - 1/2" BSP PRV04 pressure reducing valve.
841022 - 22mm PRV04C pressure reducing valve.
841020 - 3/4" BSP PRV04 pressure reducing valve.
811000 - 1/4" BSP pressure gauge.

Application

Ideal for use in domestic or light commercial applications, the PRV04 range offers options for BSP or Compression connection. The PRV04 range offers a Best Value solution even where there is a wider inlet pressure fluctuation. Installing PRV's will prevent pressurisation damage, reduce water consumption and minimise flow noise. It is recommended that a Douglas Keysafe isolating ball valve strainer is used to protect the PRV.

Special features include:

- Easy low cost installation.
- Simple outlet pressure adjustment by green control cap.
- Inlet pressure balanced - no influence on outlet pressure.
- Low maintenance - adjustment spring is not in contact with the potable water

How to specify

Douglas PRV04 pressure reducing valve
Control range 1.5 - 6.0 Bar (specify size and code no)
1/4" BSP Pressure gauge. Code no. 811000