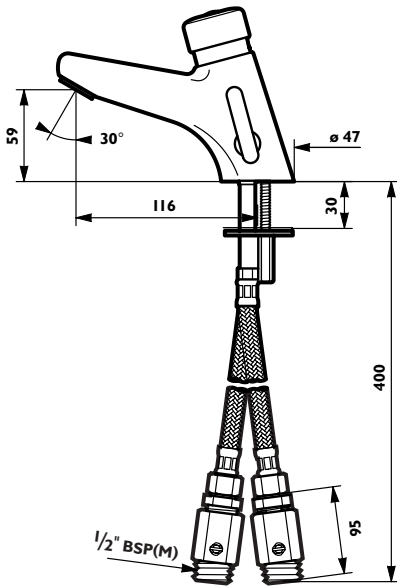


Tempomix 2 basin mixer

Data

Dual-control Tempomix 2 is a time flow basin mixer with side temperature selector.

- Anti-Blocking safety "AB".
- Shut-off delay ~ 15 sec. (± 5 secs)
- Adjustable flow-rate, pre-set at 8 L/min. Flow straightener.
- Stainless steel flexible connectors with filters and non return valves.
- Body in chrome-plated brass, reinforced fixing.

Code numbers

700100 - Tempomix 2 with straight stop valves.

Pressures and flow-rates

• Dynamic pressure	bar	0.5	1	2	3	4	5
• Maximum adjustable flow-rate	l/s	0.09	0.12	0.18	0.20	0.25	0.30
• Recommended pressure:		0.5 to 5 bar.					

Description

Tempomix 2 dual control basin mixer.

- Pre-set flow rate 8 L/min, adjustable by the installer without dismantling the mechanism or isolating water supplies. Shut-off delay ~ 15 sec. (± 5 secs)
 - Tamperproof flow-straightener
 - Stainless steel flexible inlets, filters, non-return check valves and stop cocks
 - Reinforced fixing by 2 nuts
 - Safe water temperatures
- Basin taps and mixers should always be used in conjunction with an appropriate thermostatic mixing valve to provide a safe maximum water temperature.

Advantages

- High resistance to vandalism: designed to comply with intensive use in public places, fixing reinforced by 2 bolts, threefold coating, chrome plated finishing
- More than 60% water and energy savings. Pre-set flow-rate 8 L/min. and automatic shut-off ~20 sec. delayed
- Comfort: smooth opening, the temperature is user adjustable, re-opens at the previous setting

How to specify

Tempomix 2 time flow basin mixer with side temperature selector and with straight stop valves. Code no 700100

Dimensions in mm